

There are (at least) two figures in your textbook that do not correspond to the text that refers to them. To correct this, cut out the correct figures shown below and paste them over the corresponding figures in the textbook.

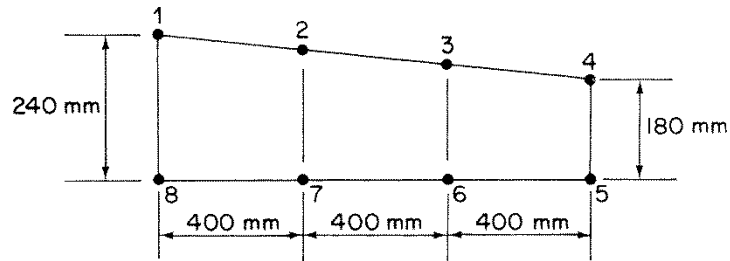


Figure P.22.1, page 655

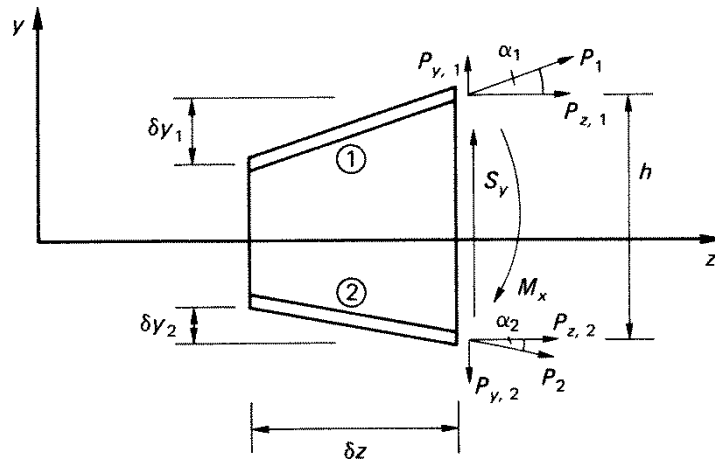


Figure 20.1 Effect of Taper on Beam Analysis, page 606